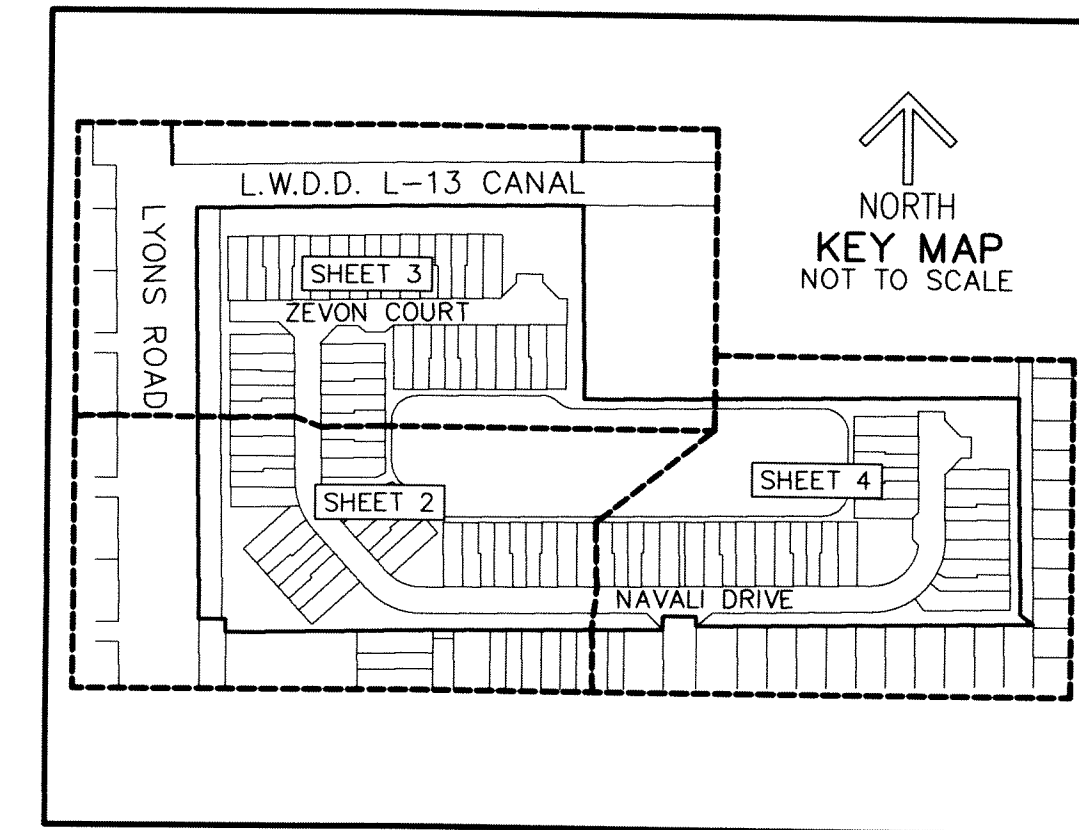


THIS INSTRUMENT PREPARED BY
 DAVID P. LINDLEY
 OF
CAULFIELD and WHEELER, INC.
 SURVEYORS - ENGINEERS - PLANNERS
 7900 GLADES ROAD, SUITE 100
 BOCA RATON, FLORIDA 33434 - (561)392-1991
 CERTIFICATE OF AUTHORIZATION NO. LB3591

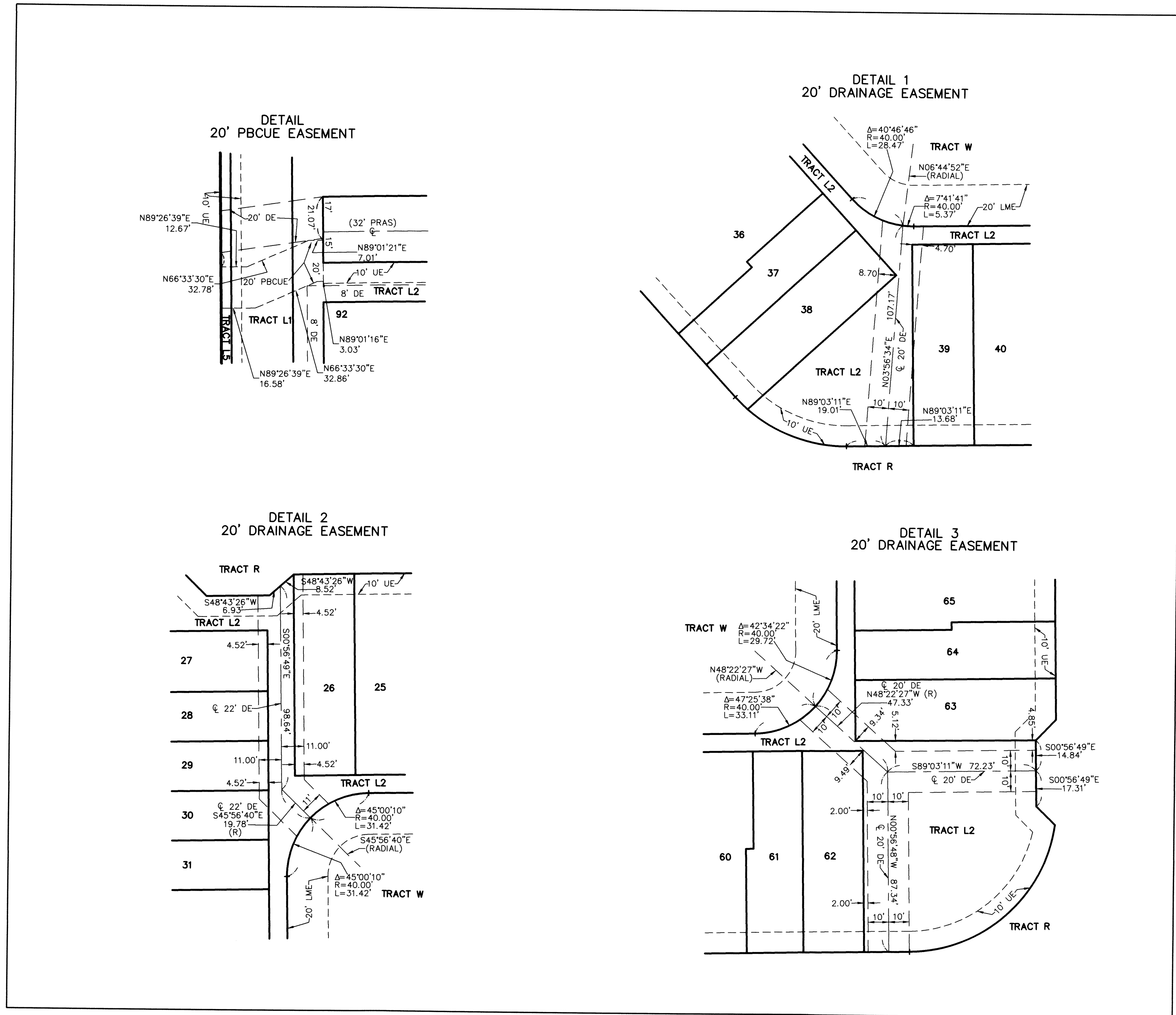
ANDALUCIA PUD PLAT 6

A PLANNED UNIT DEVELOPMENT
 BEING A REPLAT OF A PORTION OF TRACTS 39 AND 40, BLOCK 28,
 PALM BEACH FARMS CO. PLAT NO. 3, AS RECORDED IN PLAT BOOK 2, PAGE 45 THROUGH 54,
 TOGETHER WITH
 TRACTS "O-4" AND "O-5", ANDALUCIA PUD PLAT 2, AS RECORDED IN PLAT BOOK 123, PAGE 96 THROUGH 100,
 ALL OF THE PUBLIC RECORDS OF PALM BEACH COUNTY, FLORIDA,
 LYING IN SECTIONS 29 AND 30, TOWNSHIP 44 SOUTH, RANGE 42 EAST, PALM BEACH COUNTY, FLORIDA

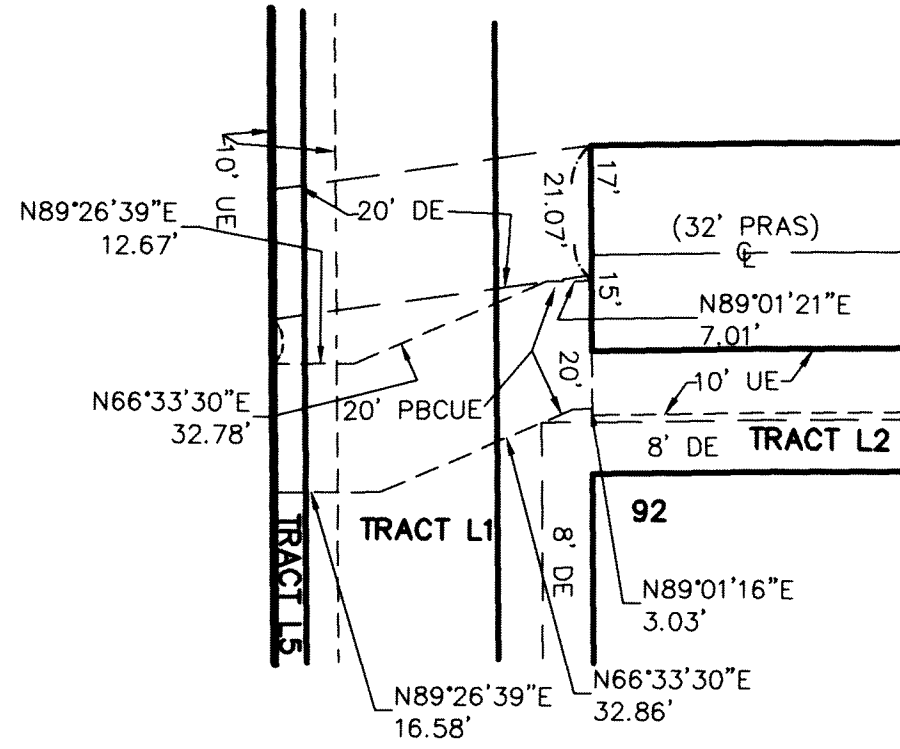


159

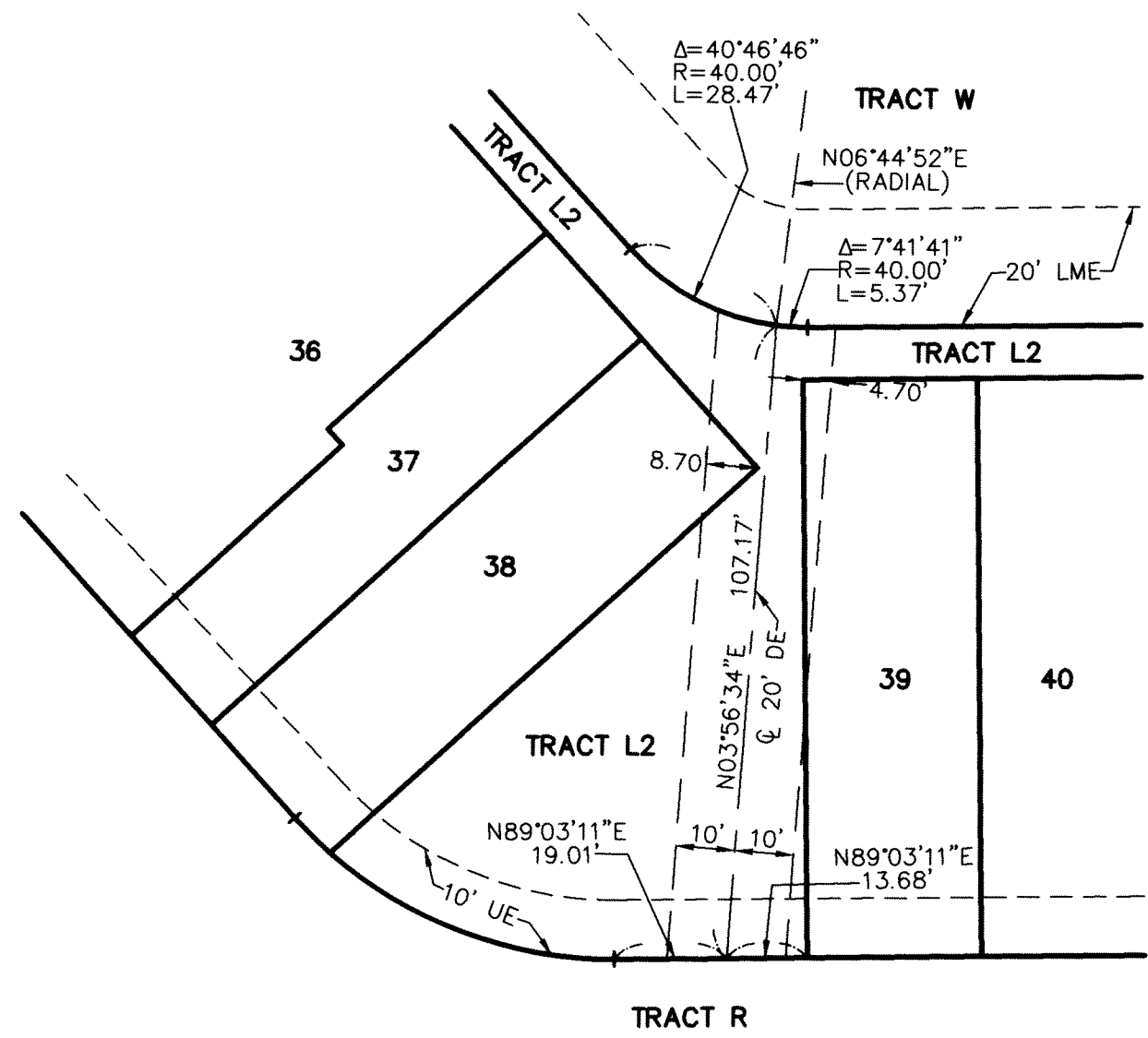
SHEET 5 OF 5



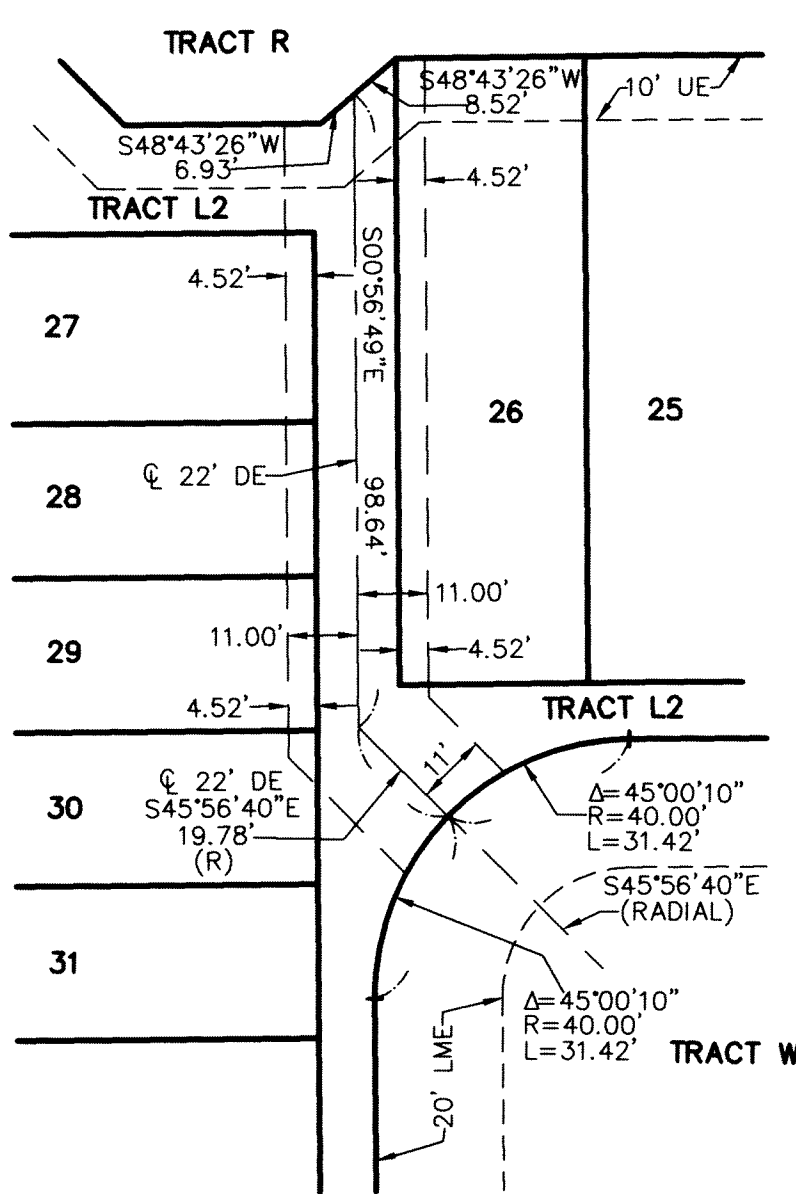
DETAIL
 20' PBCUE EASEMENT



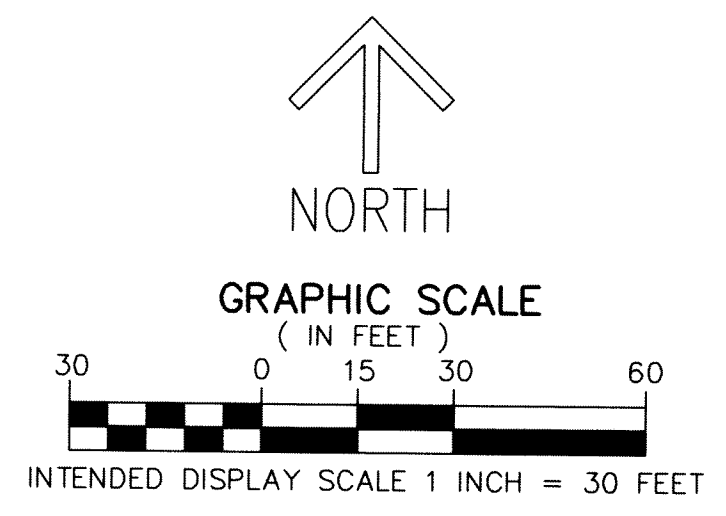
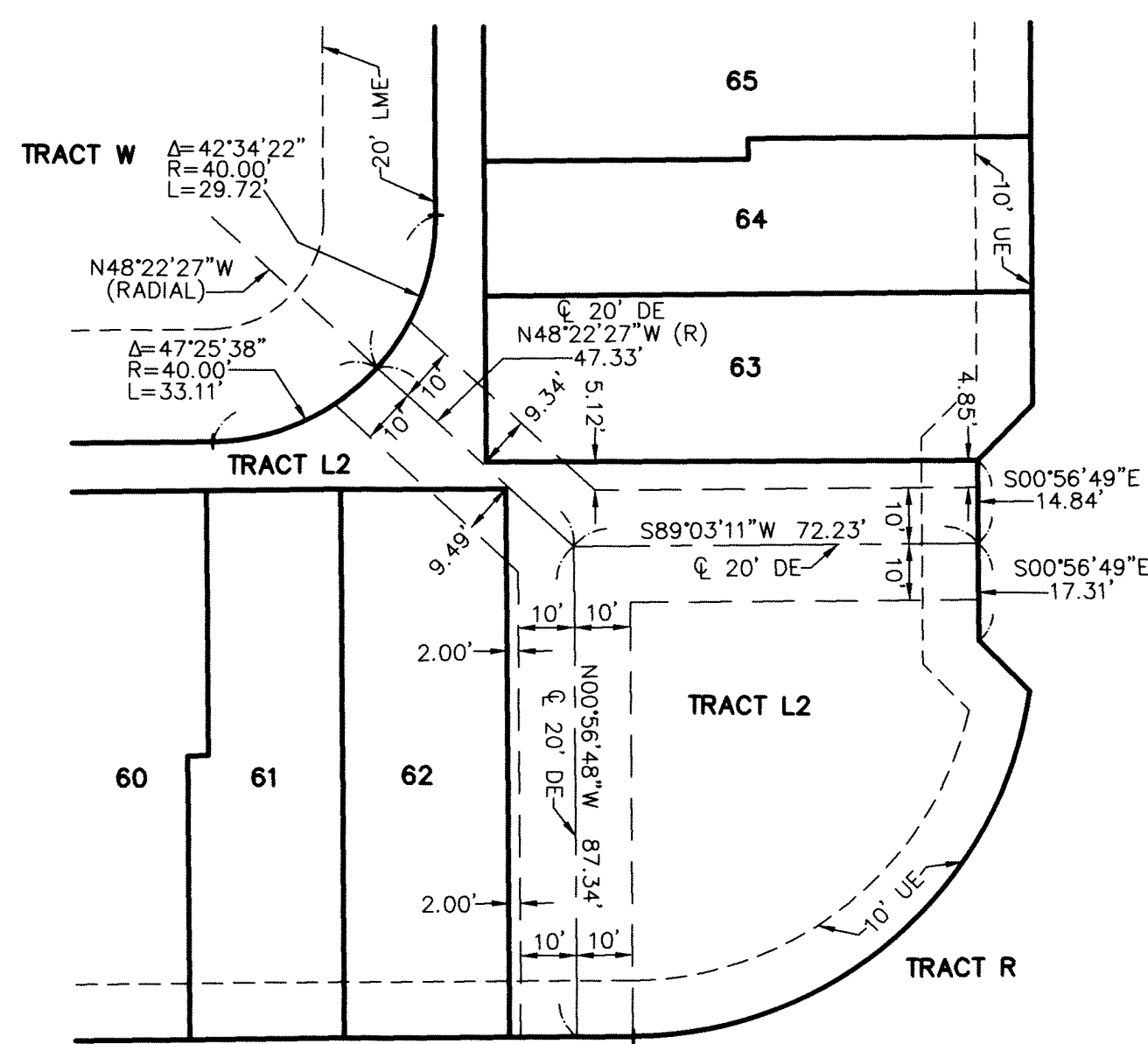
DETAIL 1
 20' DRAINAGE EASEMENT



DETAIL 2
 20' DRAINAGE EASEMENT



DETAIL 3
 20' DRAINAGE EASEMENT



- LEGEND/ABBREVIATIONS**
- CL - CENTERLINE
 - Δ - DELTA (CENTRAL ANGLE)
 - CB - CHORD BEARING
 - CD - CHORD DISTANCE
 - DE - DRAINAGE EASEMENT
 - E - EASTING (WHEN USED WITH COORDINATES)
 - L - ARC LENGTH
 - LB - LICENSED BUSINESS
 - LMAE - LAKE MAINTENANCE ACCESS EASEMENT
 - LME - LAKE MAINTENANCE EASEMENT
 - L.W.D.D. - LAKE WORTH DRAINAGE DISTRICT
 - N - NORTHING (WHEN USED WITH COORDINATES)
 - O.R.B. - OFFICIAL RECORD BOOK
 - PDE - PUBLIC DRAINAGE EASEMENT
 - PBCUE - PALM BEACH COUNTY UTILITY EASEMENT
 - PRAS - PRIVATE RESIDENTIAL ACCESS STREET
 - PUD - PLANNED UNIT DEVELOPMENT
 - R - RADIUS
 - (R) - INDICATES RADIAL LINE
 - R/W - RIGHT-OF-WAY
 - UE - UTILITY EASEMENT
 - WMAE - WATER MANAGEMENT ACCESS EASEMENT
 - WME - WATER MANAGEMENT EASEMENT
 - PRM - DENOTES SET PERMANENT REFERENCE MONUMENT
 - 4" x 4" x 24" CONCRETE MONUMENT WITH ALUMINUM DISK STAMPED "PCP LB3591" UNLESS OTHERWISE NOTED
 - PCP - DENOTES PERMANENT CONTROL POINT
 - NAIL AND METAL DISK STAMPED "PCP LB3591"
 - △ - DENOTES HORIZONTAL CONTROL POINT
 - (P1) - ANDALUCIA PUD PLAT 1 (PLAT BOOK 122, PAGES 193-199)
 - (P2) - ANDALUCIA PUD PLAT 2 (PLAT BOOK 123, PAGES 96-100)
 - (P4) - ANDALUCIA PUD PLAT 4 (PLAT BOOK 126, PAGES 28-31)

NOTES
COORDINATES, BEARINGS AND DISTANCES
 COORDINATES SHOWN ARE GRID
 DATUM = NAD 83 (1990 ADJUSTMENT)
 ZONE = FLORIDA EAST
 LINEAR UNIT = US SURVEY FEET
 COORDINATE SYSTEM 1983 STATE PLANE
 TRANSVERSE MERCATOR PROJECTION
 ALL DISTANCES ARE GROUND UNLESS OTHERWISE NOTED
 SCALE FACTOR = 1.0000223
 GROUND DISTANCE X SCALE FACTOR = GRID DISTANCE
 BEARINGS AS SHOWN HEREON ARE GRID DATUM,
 NAD 83 (1990 ADJUSTMENT), FLORIDA EAST ZONE.